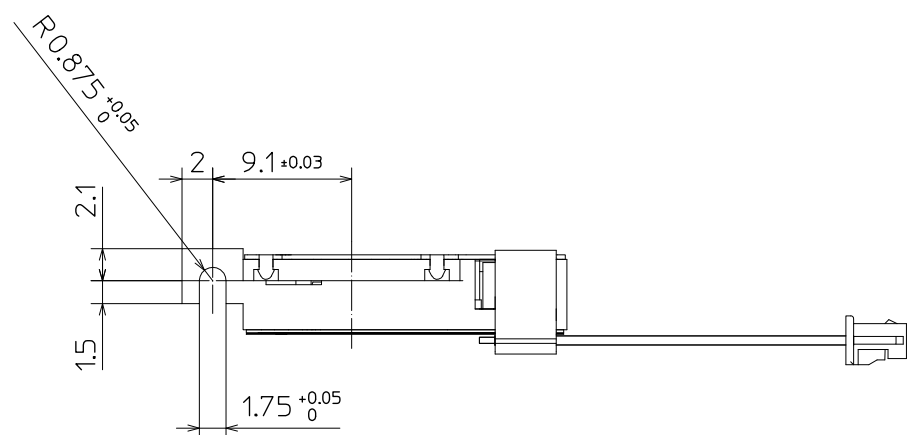
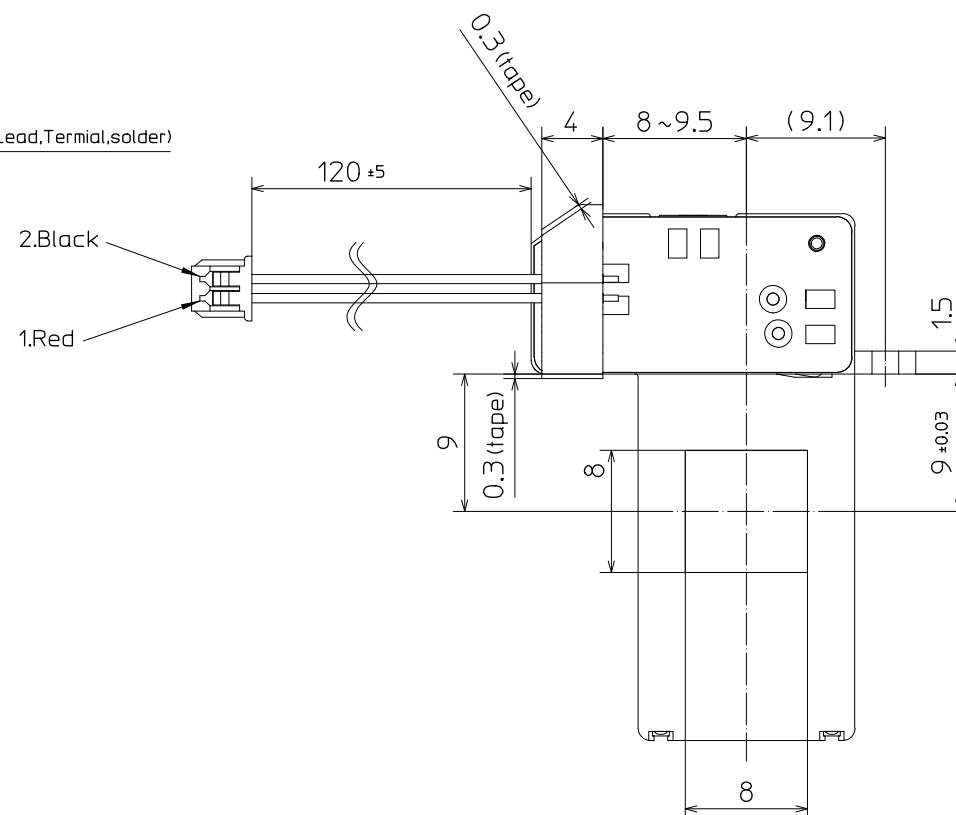
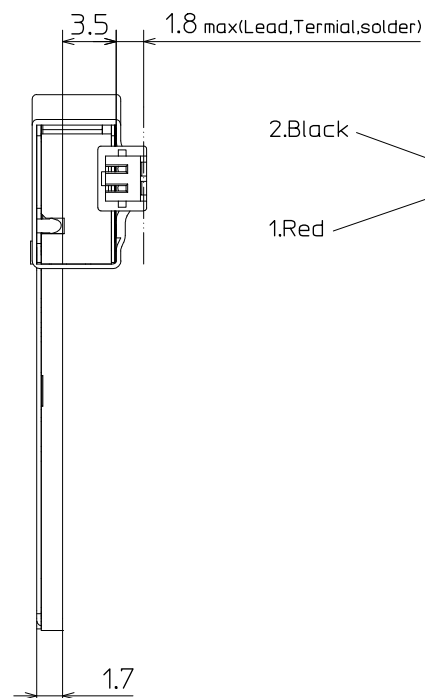
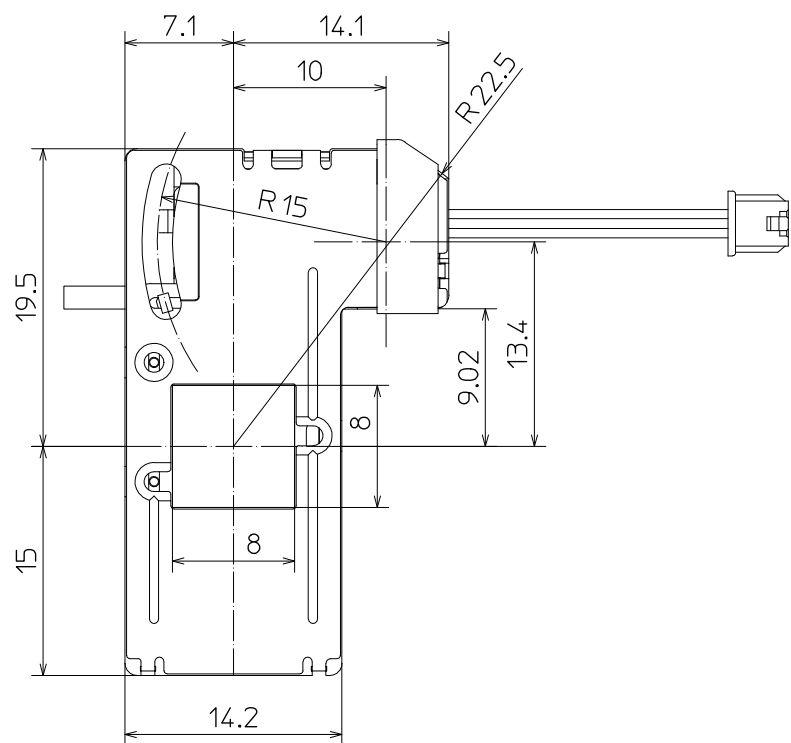
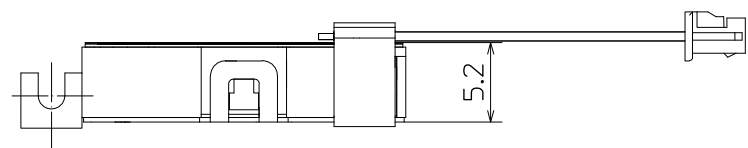


1. 卷線規格/Coil specification

Driving coil
 wire class : No.3 class , normal color
 Polyuretane copper wire
 wire diameter : $\phi 0.075 \pm 0.003$
 number of turns : 660turns
 internal resistance : $20.7 \pm 2.0 \Omega$

2. Operating voltage : 3.0~5.0V



Operation matrix

		Dummy IN	IR IN
1	Red	+	-
2	Black	-	+
		IR OUT	Dummy OUT

$L \leq 6$	0.08	◎
$6 < L \leq 18$	0.1	//
$18 < L \leq 50$	0.15	⊥
$50 < L \leq 180$	0.3	—
$180 < L \leq 500$	0.5	▧
$500 < L \leq 1600$	1.0	▨
		Ang ±30'

SURFACE TREATMENT		ANNEAL		SURFACE ROUGHNESS		SCALE 2:1	
				1.6/▽		MATERIAL	
		DATE		NAME		DRAWING-NAME	
		DRAWN 12/12/12		Y.Takada		N80TDN	
		EXAM.					
		APPR. 12/12/12		T.Yoshida			
				New Asia		DRAWING-NUMBER	
				Optical Industry		NA07-0701-AP /01	
01	New drawing	12/12/12	Y.T			SHEET	
INDEX	DESCRIPTION	DATE	NAME			OF	