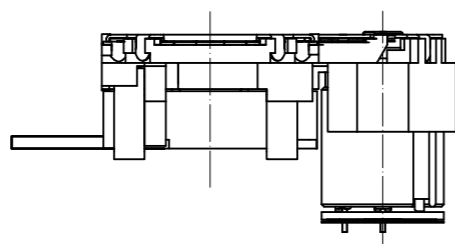
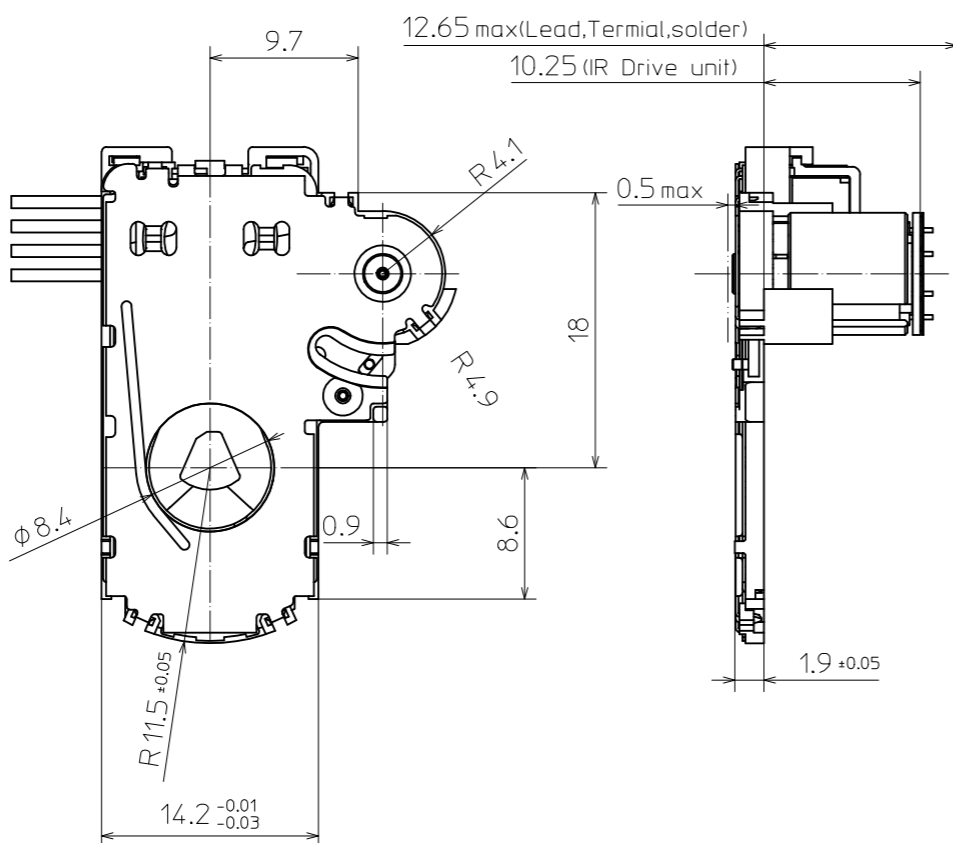
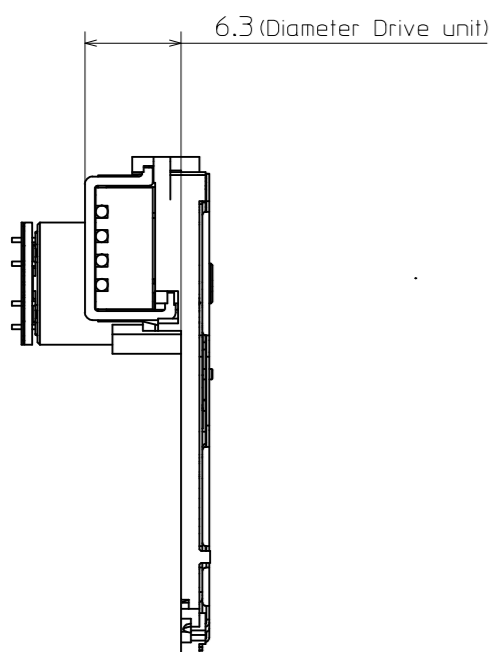
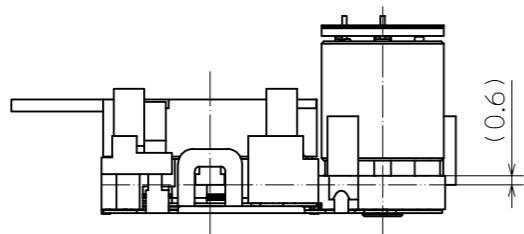


2. Radii to be R0.5 max unless otherwise specified.

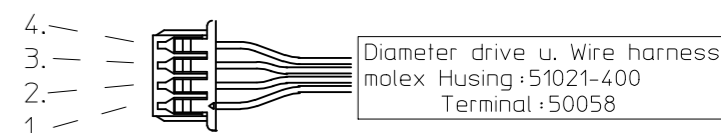
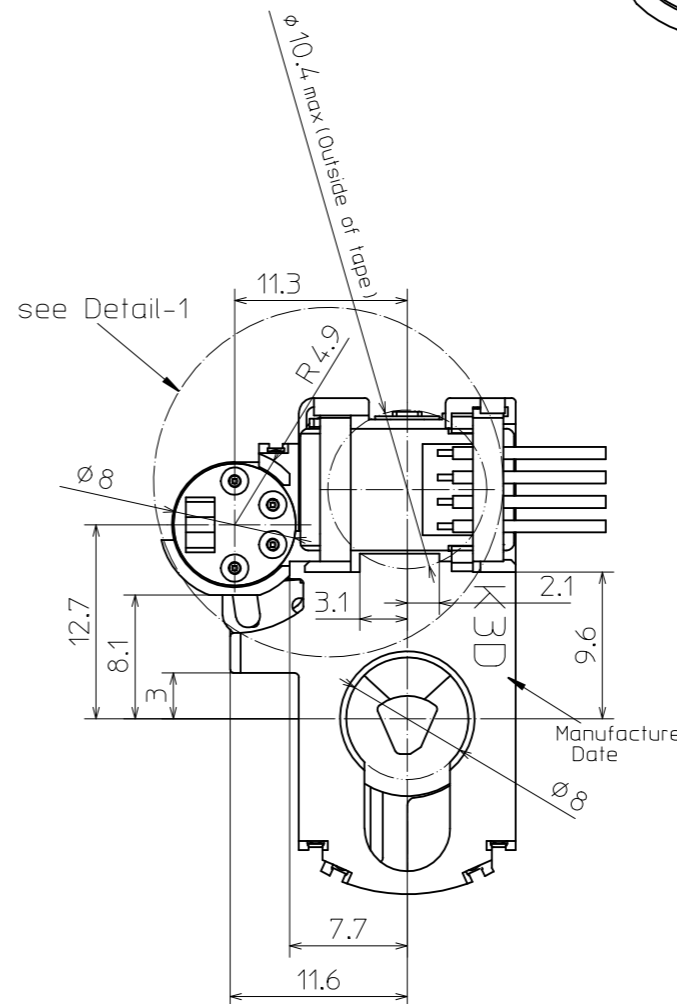
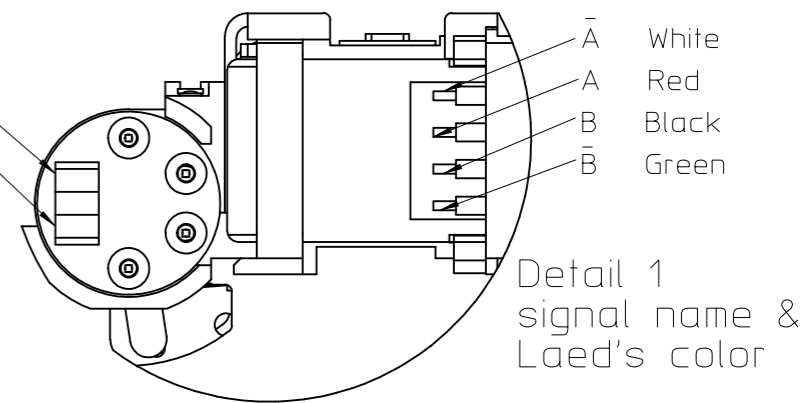
1. Unless otherwise specified dimension are in millimeters tolerances on ± 0.1 , angle $\pm 1^\circ$.

Note



IR + Red
IR - Black

A White
 A Red
 B Black
 B Green



*Please specify the attachment method to a lens unit of a visitor.

SURFACE TREATMENT		ANNEAL		SURFACE ROUGHNESS		SCALE 2:1	
						MATERIAL	
						MODEL-NAME	
						N80DNP	
						DRAWING-NUMBER	
						NA06-0000 -Ap/01	
						SHEET	
						OF	
INDEX	DESCRIPTION	DATE	NAME	New Asia Optical Industry			