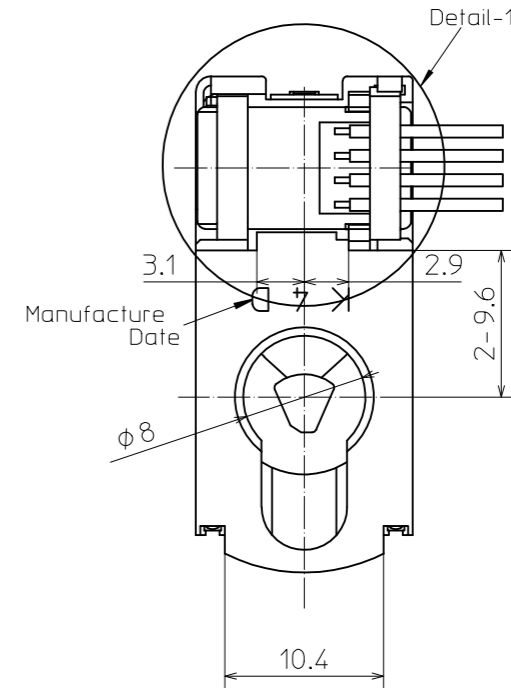
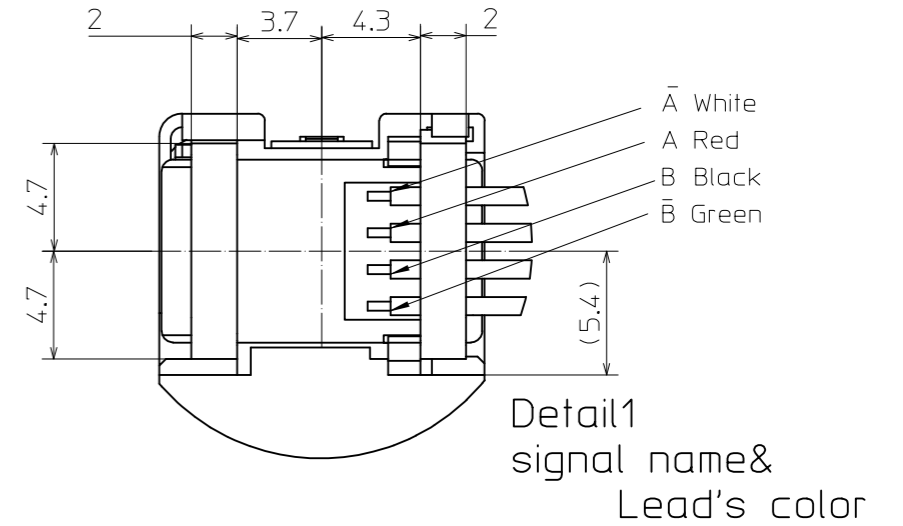
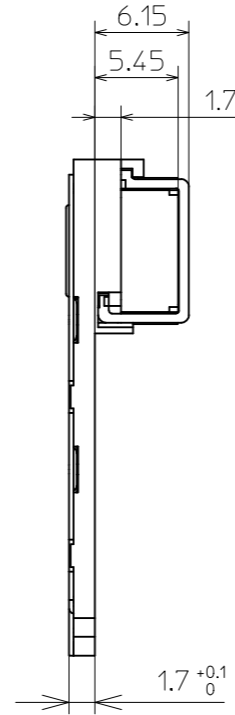
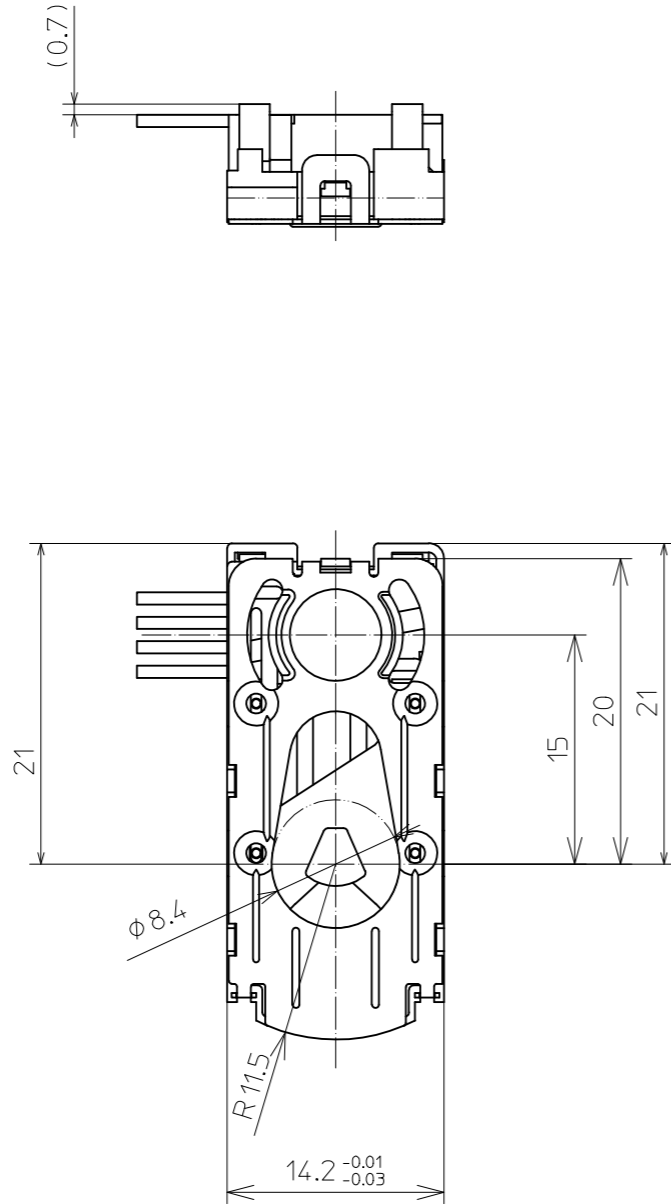
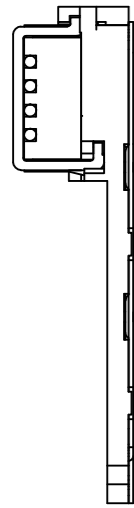


2. Radii to be R0.5 max unless otherwise specified.

1. Unless otherwise specified dimension are in millimeters tolerances on  $\pm 0.1$ , angle  $\pm 1^\circ$ .

Note



\*Please specify the attachment method to a lens unit of a visitor.

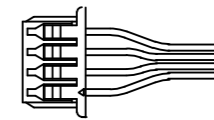
Exciting pattern of clockwise.  
CW : Open → Close

Step	A	Ā	B	B̄
0	H	L	H	L
1	L	H	H	L
2	L	H	L	H
3	H	L	L	H

1. Motor type : PM type stepping motor.
2. Operating voltage : 2.6~3.8V
3. Coil resistance : 28.5 $\Omega$
4. Step angle : 0.709 degrees.
5. Exciting driving : Micro step drive or 2phase excitation bipola method.

※ Stepping motor has the combination of a voltage and a speed not steady according to control techniques. Please investigate the combination of the voltage and the speed that becomes steady operation, and decide the drive condition.

- 4.Green B̄
- 3.Red A
- 2.Black B
- 1.White Ā



Diameter drive u. Wire harness  
molex Husing : 51021-400  
terminal : 50058

SURFACE TREATMENT		ANNEAL		SURFACE ROUGHNESS		SCALE 2:1	
						MATERIAL	
						MODEL-NAME	
						DRAWING-NUMBER	
						SHEET	
						OF	
INDEX	DESCRIPTION	DATE	NAME	DATE	NAME	N78DCP	
						NA05-0000 -Ap/01	
New Asia Optical Industry							