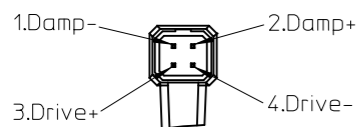
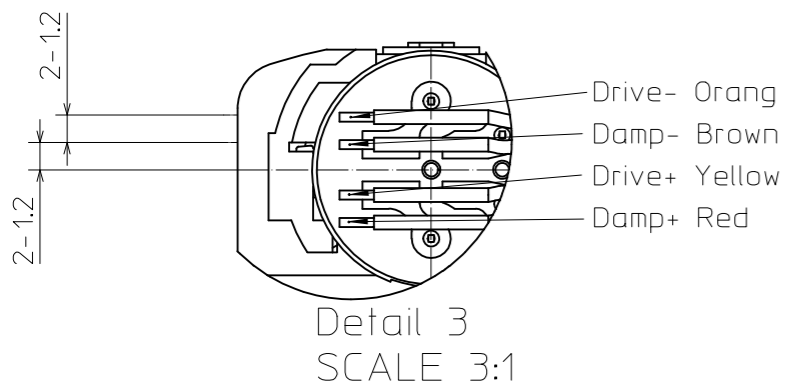
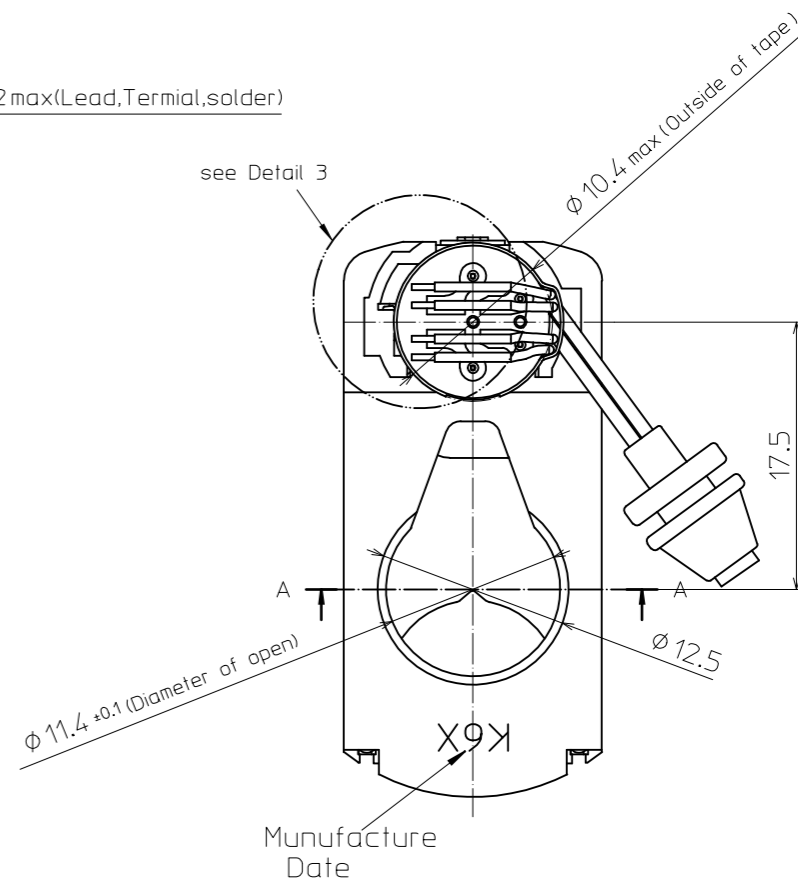
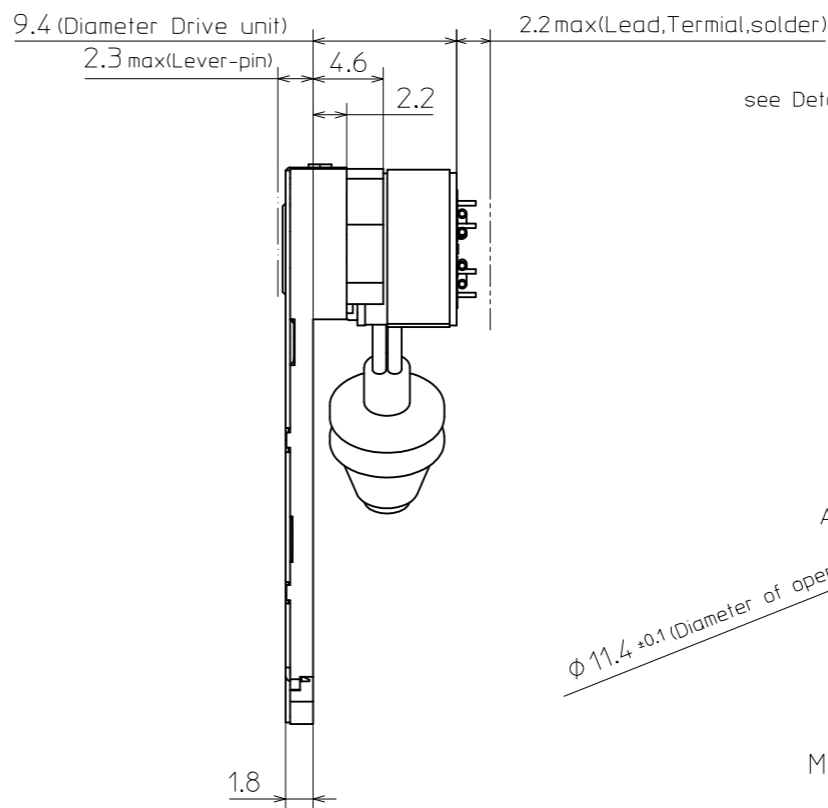
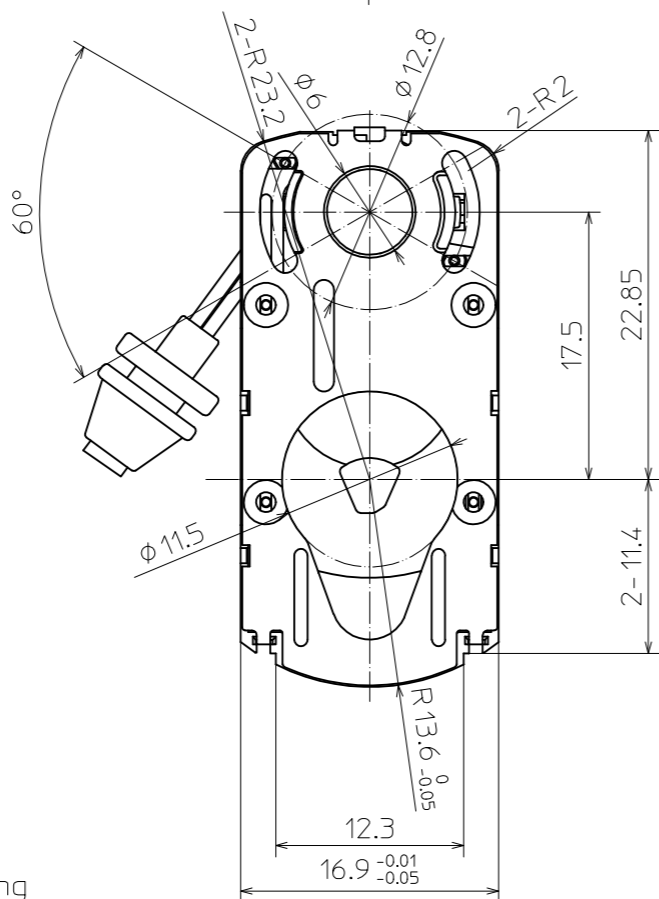
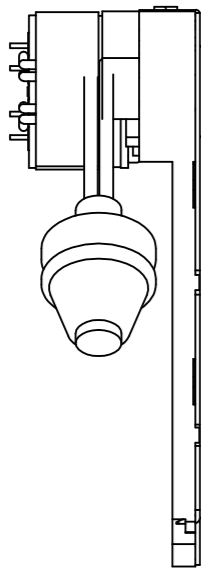
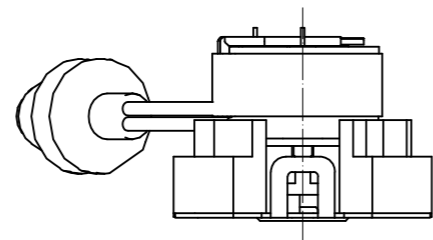


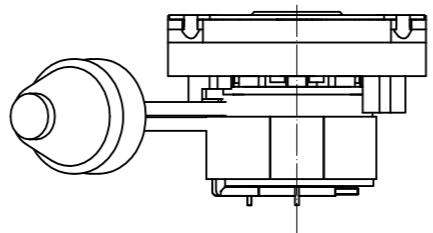
2. Radii to be R0.5 max unless otherwise specified.

1. Unless otherwise specified dimension are in millimeters tolerances on  $\pm 0.1$ , angle  $\pm 1^\circ$ .

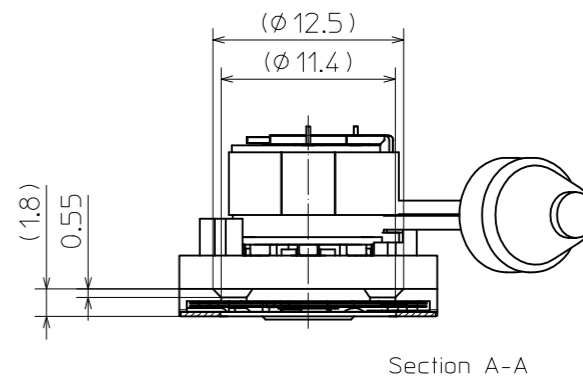
Note



絞り駆動用リード線付きコネクタ  
CS規格品 コネクター部: SVP-411相当



\*Please specify the attachment method to a lens unit of a visitor.



SUFACE TREATMENT		ANNEAL		SURFACE ROUGHNESS		SCALE 2:1	
						MATERIAL	
						MODEL-NAME	
						N114DCS	
						DRAWING-NUMBER	
						NA01-0000 -Ap/01	
INDEX DESCRIPTION		DATE		NAME		SHEET	
				New Asia Optical Industry		OF	