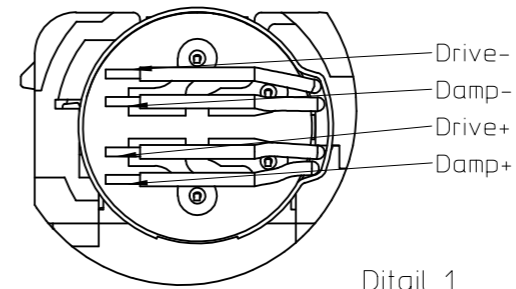
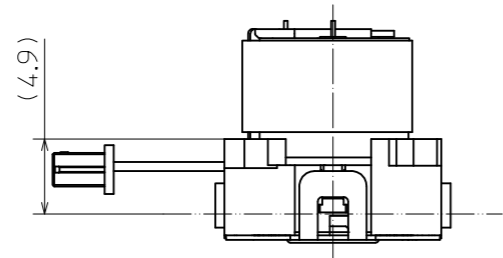
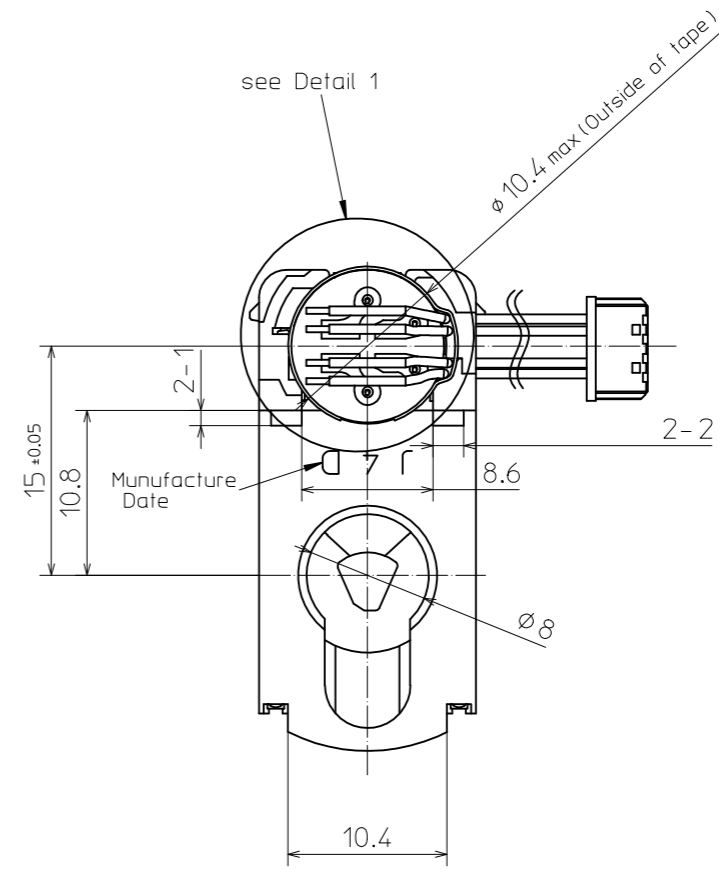
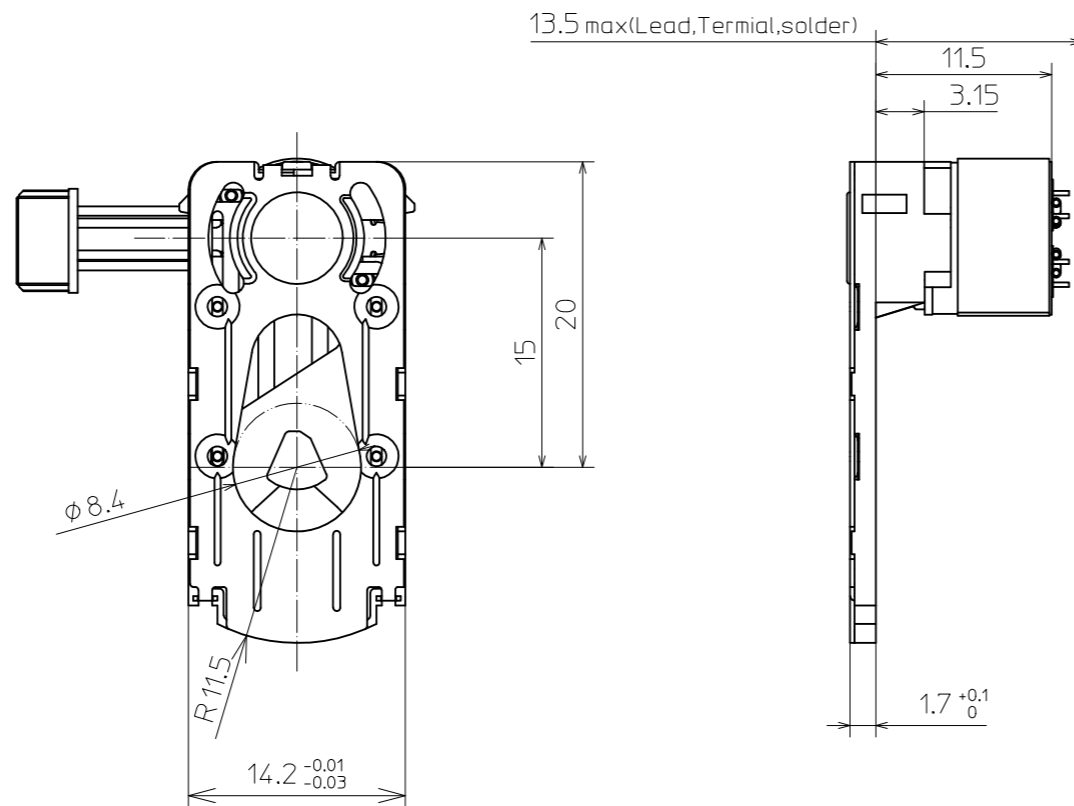
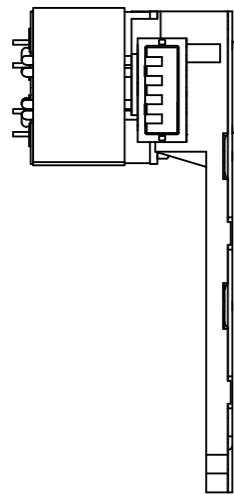


- 2. Radii to be R0.5 max unless otherwise specified.
- 1. Unless otherwise specified dimension are in millimeters tolerances on ± 0.1 , angle $\pm 1^\circ$.

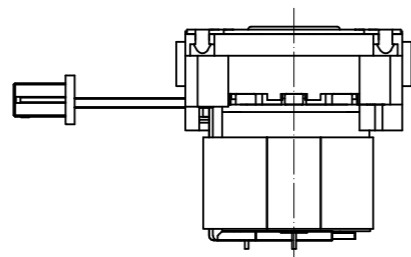
Note



Detail 1
signal name



*Please specify the attachment method to a lens unit of a visitor.



SUFACE TREATMENT		ANNEAL		SURFACE ROUGHNESS		SCALE 2:1	
						MATERIAL	
						MODEL-NAME	
						N78DCL	
						DRAWING-NUMBER	
						NA01-0000 -Ap/01	
INDEX	DESCRIPTION	DATE	NAME	New Asia Optical Industry		SHEET	OF